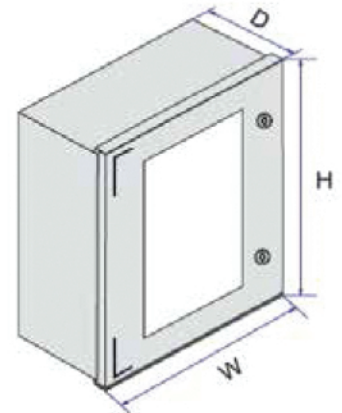


IP66 ,IEC 60529
IK10 ,IEC 62262
Hot moulded fiber glass
reinforced polyester (GPR)
color RAL9002, door open 180 degree
-40 C to 150 C
Excellent resistance to corrosion,UV
saline mist,bases.oils,greases

ตู้โพลีเอสเตอร์ผสมใยแก้ว
 ใช้แทนตู้เหล็ก,ตู้สแตนเลส และ
 ตู้พลาสติกอื่น ,กันฝุ่นและน้ำ
 ระดับ IP66 ,เป็นฉนวนไฟฟ้าในตัว
 ไม่เป็นสนิม ใช้ได้ในทุกหน้างาน
 ทนแดด,กรด,ด่าง,ไอเกลือ และ
 ไอเคมีต่างๆ แข็งแรง ทนทานมาก

Polyester Encloser with Galvanized plate with Bracket

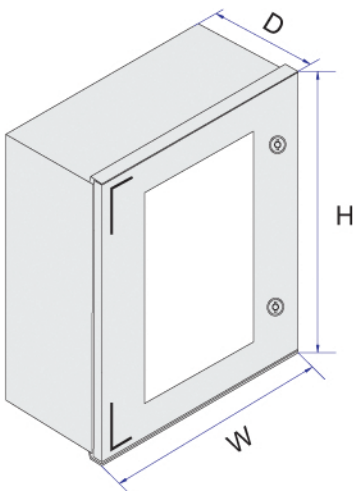
Model	Di. (HxWxD)	Plate Di.	Price List
TIP-302514	300 x 250 x 140	263 x 201	3,870.00
TIP-403020	400 x 300 x 200	353 x 245	5,338.00
TIP-404020	400 x 400 x 200	349 x 345	6,930.00
TIP-504020	500 x 400 x 200	453 x 345	7,593.00
TIP-604023	600 x 400 x 230	553 x 345	9,278.00
TIP-605023	600 x 500 x 230	553 x 447	10,343.00
TIP-806030	800 x 600 x 300	749 x 540	15,513.00





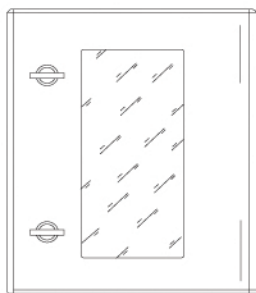
CONFORMITY AND APPROVAL

Heat-moulded polyester enclosures, in grey colour RAL-9002. Self-extinguishable materials, as per ASTM D635. Extreme utilization temperatures: -30°C and +120°C. Non hygroscopic materials, minimum water absorption. High mechanical resistance against impact. Resistance against rusting and corrosion by chemical or atmospheric agents. Easy to machine. Easy to move around and install because of its lightness. Door hinges allows more than 180° opening. Excellent presentation and nice superficial finishing.



Model		Dimension			Inner door	Dimension	
grey door	clear door	H	W	D		A	B
TIP-325	TX-325	300	250	140	\	\	\
TIP-43	TX-43	400	300	200	TP-43	366	258
TIP-44	TX-44	400	400	200	TP-44	366	358
TIP-54	TX-54	500	400	200	TP-54	466	358
TIP-64	TX-64	600	400	230	TP-64	566	358
TIP-65	TX-65	600	500	230	TP-65	566	458
TIP-86	TX-86	800	600	300	TP-86	766	658

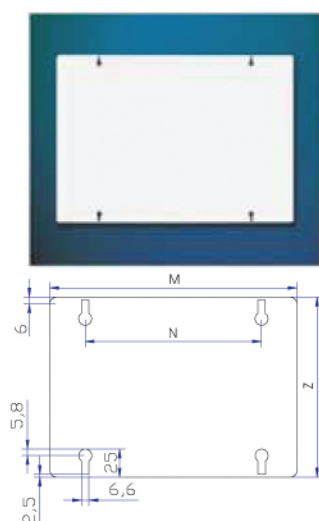
Transparent Door



New range of enclosures made reinforced polyester with 30% glass fibre which gets high resistance against impacts (9), together with its lightness in comparison with steel enclosures.

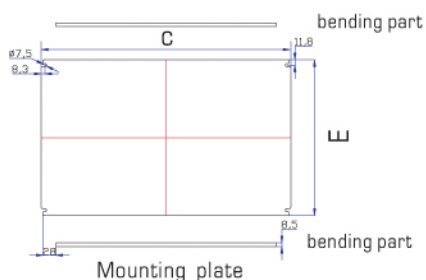
They are particular suitable for mounting electrical or electronic equipment in those "aggressive" environments where polyester, as a future material, a result of this, long life time.

Polyester plate



Polyester plate	Dimension		
	M	Z	N
PP-325	220	238	157
PP-43	310	285	210
PP-44	307	385	227
PP-54	408	385	277
PP-64	510	358	327
PP-65	507	485	327
PP-86	705	580	477

Base plate for fastening the unit.



Mounting plate	Dimension	
	C	E
TI-325	263	201
TI-43	353	245
TI-44	349	345
TI-54	453	345
TI-64	553	345
TI-65	553	447
TI-86	749	540

If the C greater than 500, the floor will be bent, the table below for after bending size.

Quick profiles mounting system on the bottom of the enclosure by exagonal nuts M-6, easy to be installed.



Fastening lugs with stainless screws for installation in different position at angle of 45°.



Four drills for wall mounting. Pivots inside the door for fastening different accessories.

Moulded protection lip in the union between the body and the door.
Hidden stainless steel hinges.



DRILLS FOR WALL MOUNTING

FOR ALL TIP BOX

