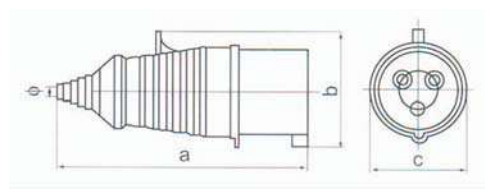




AJ-013L

AJ-014L

AJ-015L



AJ-023L

AJ-024L

AJ-025L

| Earth contact position | 6h | | | | | | |
|------------------------|----|------|------|------|------|------|------|
| | 3 | | 4 | | 5 | | |
| Pole | 3 | 4 | 3 | 4 | 3 | 4 | |
| Rated current(A) | 16 | 32 | 16 | 32 | 16 | 32 | |
| Dimension(mm.) | a | 142 | 171 | 142 | 171 | 161 | 174 |
| | b | 57 | 77 | 64 | 77 | 75 | 87 |
| | c | 50 | 64 | 50 | 64 | 64 | 70 |
| | ∅ | 7-16 | 7-20 | 7-16 | 7-20 | 7-20 | 7-20 |

ปลั๊ก (Plugs) Conform to IEC60309-2

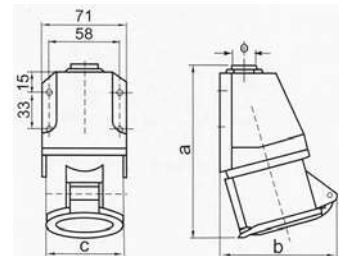
| Degree of Protection | รุ่น (Model) | Pole | Color code / Earth contact position (6h) | Rated Voltage | Rated Current | Cable size (mm ²) | Packing | | ราคา/ตัว (บาท) |
|----------------------|--------------|--------|--|-------------------------|---------------|-------------------------------|---------|---------|----------------|
| | | | | | | | Pcs/Box | Pcs/Ctn | |
| IP44 ⚠ | AJ-013L | 2P+E | | 220-240Vac (50/60Hz) | 16A | 1 - 2.5 | 10 | 120 | 100.- |
| | AJ-023L | | | | 32A | 2.5 - 6 | 10 | 60 | 150.- |
| | AJ-014L | 3P+E | | 380-415Vac (50/60Hz) | 16A | 1 - 2.5 | 10 | 120 | 130.- |
| | AJ-024L | | | | 32A | 2.5 - 6 | 10 | 60 | 170.- |
| | AJ-015L | 3P+N+E | | 220-415Vac (50/60Hz) | 16A | 1 - 2.5 | 10 | 60 | 150.- |
| | AJ-025L | | | | 32A | 2.5 - 6 | 10 | 60 | 190.- |



AJ-113L

AJ-114L

AJ-115L



AJ-123L

AJ-124L

AJ-125L

| Earth contact position | 6h | | | | | | |
|------------------------|----|------|------|------|------|------|------|
| | 3 | | 4 | | 5 | | |
| Pole | 3 | 4 | 3 | 4 | 3 | 4 | |
| Rated current(A) | 16 | 32 | 16 | 32 | 16 | 32 | |
| Dimension(mm.) | a | 135 | 153 | 140 | 152 | 139 | 153 |
| | b | 92 | 102 | 95 | 104 | 96 | 107 |
| | c | 50 | 65 | 56 | 65 | 63 | 70 |
| | ∅ | 3-18 | 3-18 | 3-18 | 3-18 | 3-18 | 3-18 |

เต้ารับลอยติดผนัง (Wall Socket) Conform to IEC60309-2

| Degree of Protection | รุ่น (Model) | Pole | Color code / Earth contact position (6h) | Rated Voltage | Rated Current | Cable size (mm ²) | Packing | | ราคา/ตัว (บาท) |
|----------------------|--------------|--------|--|-------------------------|---------------|-------------------------------|---------|---------|----------------|
| | | | | | | | Pcs/Box | Pcs/Ctn | |
| IP44 ⚠ | AJ-113L | 2P+E | | 220-240Vac (50/60Hz) | 16A | 1 - 2.5 | 10 | 60 | 175.- |
| | AJ-123L | | | | 32A | 2.5 - 6 | 10 | 60 | 250.- |
| | AJ-114L | 3P+E | | 380-415Vac (50/60Hz) | 16A | 1 - 2.5 | 10 | 60 | 190.- |
| | AJ-124L | | | | 32A | 2.5 - 6 | 10 | 60 | 280.- |
| | AJ-115L | 3P+N+E | | 220-415Vac (50/60Hz) | 16A | 1 - 2.5 | 10 | 60 | 210.- |
| | AJ-125L | | | | 32A | 2.5 - 6 | 10 | 60 | 300.- |

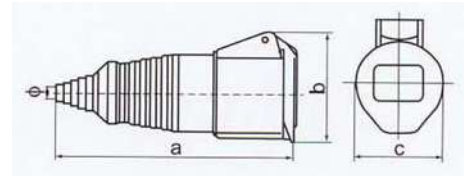
* ราคาสินค้าไม่รวมภาษีมูลค่าเพิ่มและราคาอาจเปลี่ยนแปลงได้โดยไม่ต้องแจ้งให้ทราบล่วงหน้า *



AJ-213L

AJ-214L

AJ-215L



AJ-223L

AJ-224L

AJ-225L

| Earth contact position | | 6h | | | | | |
|------------------------|---|------|------|------|------|------|------|
| Pole | | 3 | | 4 | | 5 | |
| Rated current(A) | | 16 | 32 | 16 | 32 | 16 | 32 |
| Dimension(mm.) | a | 150 | 182 | 150 | 182 | 171 | 185 |
| | b | 69 | 94 | 79 | 94 | 93 | 101 |
| | c | 50.5 | 65 | 56 | 65 | 64 | 71 |
| | Ø | 7-16 | 7-20 | 7-16 | 7-20 | 7-20 | 7-20 |

เต้ารับกลางทาง (Coupler Socket)

Conform to IEC60309-2

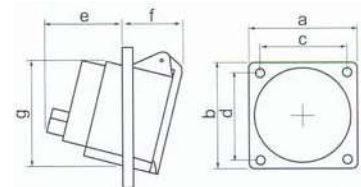
| Degree of Protection | รุ่น (Model) | Pole | Color code / Earth contact position (6h) | Rated Voltage | Rated Current | Cable size (mm ²) | Packing | | ราคา/ตัว (บาท) |
|----------------------|--------------|--------|--|-------------------------|---------------|-------------------------------|---------|---------|----------------|
| | | | | | | | Pcs/Box | Pcs/Ctn | |
| IP44 ⚠ | AJ-213L | 2P+E | | 220-240Vac (50/60Hz) | 16A | 1 - 2.5 | 10 | 120 | 140.- |
| | 32A | | | | 60 | | | | |
| | AJ-214L | 3P+E | | 380-415Vac (50/60Hz) | 16A | 1 - 2.5 | 10 | 60 | 160.- |
| | 32A | | | | 60 | | | | |
| | AJ-215L | 3P+N+E | | 220-415Vac (50/60Hz) | 16A | 1 - 2.5 | 10 | 60 | 180.- |
| | AJ-225L | | | | 32A | | | | |



AJ-313

AJ-314

AJ-315



AJ-323

AJ-324

AJ-325

| Earth contact position | | 6h | | | | | |
|------------------------|---|----|----|----|----|----|----|
| Pole | | 3 | | 4 | | 5 | |
| Rated current(A) | | 16 | 32 | 16 | 32 | 16 | 32 |
| Dimension(mm.) | a | 62 | 80 | 76 | 80 | 76 | 82 |
| | b | 68 | 96 | 80 | 96 | 86 | 97 |
| | c | 47 | 60 | 60 | 60 | 60 | 60 |
| | d | 48 | 70 | 61 | 70 | 61 | 70 |
| | e | 36 | 42 | 47 | 42 | 47 | 42 |
| | f | 37 | 43 | 37 | 43 | 37 | 47 |
| | g | 55 | 75 | 64 | 75 | 72 | 81 |

เต้ารับฝังผนัง (Panel Socket)

Conform to IEC60309-2

| Degree of Protection | Model รุ่น | Pole | Color code / Earth contact position (6h) | Rated Voltage | Rated Current | Cable size (mm ²) | Packing | | ราคา/ตัว (บาท) |
|----------------------|------------|--------|--|-------------------------|---------------|-------------------------------|---------|---------|----------------|
| | | | | | | | Pcs/Box | Pcs/Ctn | |
| IP44 ⚠ | AJ-313 | 2P+E | | 220-240Vac (50/60Hz) | 16A | 1 - 2.5 | 10 | 60 | 135.- |
| | AJ-323 | | | | 32A | | | | |
| | AJ-314 | 3P+E | | 380-415Vac (50/60Hz) | 16A | 1 - 2.5 | 10 | 60 | 160.- |
| | AJ-324 | | | | 32A | | | | |
| | AJ-315 | 3P+N+E | | 220-415Vac (50/60Hz) | 16A | 1 - 2.5 | 10 | 60 | 180.- |
| | AJ-325 | | | | 32A | | | | |

* ราคาสินค้าไม่รวมภาษีมูลค่าเพิ่มและราคาอาจเปลี่ยนแปลงได้โดยไม่ต้องแจ้งให้ทราบล่วงหน้า *



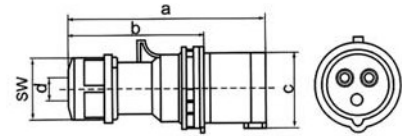
AJ-P013



AJ-P014



AJ-P015



AJ-P023



AJ-P024



AJ-P025

| Earth contact position | 6h | | | | | | |
|------------------------|----|------|-------|------|-------|------|-------|
| | 3 | | 4 | | 5 | | |
| Pole | | | | | | | |
| Rated current (A) | 16 | 32 | 16 | 32 | 16 | 32 | |
| Dimension (mm). | a | 118 | 16 | 124 | 146 | 131 | 152 |
| | b | 82 | 100 | 88 | 100 | 95 | 106 |
| | c | 47 | 63 | 53 | 63 | 61 | 70 |
| | ∅ | 6-15 | 10-20 | 6-15 | 10-20 | 8-16 | 10-20 |
| | sw | 30 | 50 | 38 | 50 | 42 | 50 |

ปลั๊ก (Plugs)

Conform to IEC60309-2

| Degree of Protection | รุ่น (Model) | Pole | Color code / Earth contact position (6h) | Rated Voltage | Rated Current | Cable size (mm ²) | Packing | | ราคา/ตัว (บาท) |
|----------------------|--------------|--------|--|-------------------------|---------------|-------------------------------|---------|---------|----------------|
| | | | | | | | Pcs/Box | Pcs/Ctn | |
| IP44 ⚠ | AJ-P013 | 2P+E | | 220-240Vac (50/60Hz) | 16A | 1 - 2.5 | 10 | 120 | 120.- |
| | AJ-P023 | | | | 32A | 2.5 - 6 | 10 | 60 | 200.- |
| | AJ-P014 | 3P+E | | 380-415Vac (50/60Hz) | 16A | 1 - 2.5 | 10 | 60 | 150.- |
| | AJ-P024 | | | | 32A | 2.5 - 6 | 10 | 60 | 235.- |
| | AJ-P015 | 3P+N+E | | 220-415Vac (50/60Hz) | 16A | 1 - 2.5 | 10 | 60 | 185.- |
| | AJ-P025 | | | | 32A | 2.5 - 6 | 10 | 60 | 255.- |



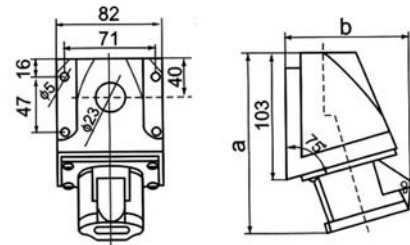
AJ-S113



AJ-S114



AJ-S115



AJ-S123



AJ-S124



AJ-S125

| Earth contact position | 6h | | | | | | |
|------------------------|----|-----|-----|-----|-----|-----|-----|
| | 3 | | 4 | | 5 | | |
| Pole | | | | | | | |
| Rated current (A) | 16 | 32 | 16 | 32 | 16 | 32 | |
| Dimension (mm.) | a | 149 | 163 | 150 | 163 | 153 | 163 |
| | b | 96 | 107 | 101 | 107 | 103 | 113 |

เต้ารับลอย (Wall Socket)

Conform to IEC60309-2

| Degree of Protection | รุ่น (Model) | Pole | Color code / Earth contact position (6h) | Rated Voltage | Rated Current | Cable size (mm ²) | Packing | | ราคา/ตัว (บาท) |
|----------------------|--------------|--------|--|-------------------------|---------------|-------------------------------|---------|---------|----------------|
| | | | | | | | Pcs/Box | Pcs/Ctn | |
| IP44 ⚠ | AJ-S113 | 2P+E | | 220-240Vac (50/60Hz) | 16A | 1 - 2.5 | 10 | 40 | 215.- |
| | AJ-S123 | | | | 32A | 2.5 - 6 | 10 | 40 | 275.- |
| | AJ-S114 | 3P+E | | 380-415Vac (50/60Hz) | 16A | 1 - 2.5 | 10 | 40 | 230.- |
| | AJ-S124 | | | | 32A | 2.5 - 6 | 10 | 40 | 295.- |
| | AJ-S115 | 3P+N+E | | 220-415Vac (50/60Hz) | 16A | 1 - 2.5 | 10 | 40 | 255.- |
| | AJ-S125 | | | | 32A | 2.5 - 6 | 10 | 40 | 330.- |

* ราคาสินค้าไม่รวมภาษีมูลค่าเพิ่มและราคาอาจเปลี่ยนแปลงได้โดยไม่ต้องแจ้งให้ทราบล่วงหน้า *



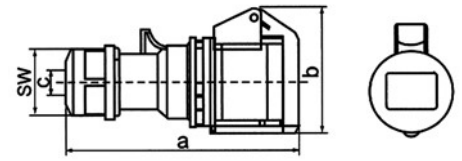
AJ-C213



AJ-C214



AJ-C215



AJ-C223



AJ-C224



AJ-C225

| Earth contact position | | 6h | | | | | |
|------------------------|----|------|-------|------|-------|------|-------|
| Pole | | 3 | | 4 | | 5 | |
| Rated current(A) | | 16 | 32 | 16 | 32 | 16 | 32 |
| Dimension(mm.) | a | 127 | 159 | 135 | 159 | 142 | 159 |
| | b | 75 | 90 | 80 | 90 | 82 | 97 |
| | c | 6-15 | 10-20 | 6-15 | 10-20 | 8-16 | 10-20 |
| | sw | 38 | 50 | 38 | 50 | 42 | 50 |

เต้ารับกลางทาง (Coupler Socket)

Conform to IEC60309-2

| Degree of Protection | รุ่น (Model) | Pole | Color code / Earth contact position (6h) | Rated Voltage | Rated Current | Cable size (mm ²) | Packing | | ราคา/ตัว (บาท) |
|----------------------|--------------|--------|--|-------------------------|---------------|-------------------------------|---------|---------|----------------|
| | | | | | | | Pcs/Box | Pcs/Ctn | |
| IP44 ⚠ | AJ-C213 | 2P+E | | 220-240Vac (50/60Hz) | 16A | 1 - 2.5 | 10 | 120 | 170.- |
| | 32A | | | | 2.5 - 6 | 10 | 40 | 225.- | |
| | AJ-C214 | 3P+E | | 380-415Vac (50/60Hz) | 16A | 1 - 2.5 | 10 | 120 | 170.- |
| | 32A | | | | 2.5 - 6 | 10 | 40 | 240.- | |
| | AJ-C215 | 3P+N+E | | 220-415Vac (50/60Hz) | 16A | 1 - 2.5 | 10 | 60 | 210.- |
| | AJ-C225 | | | | 32A | 2.5 - 6 | 10 | 40 | 275.- |



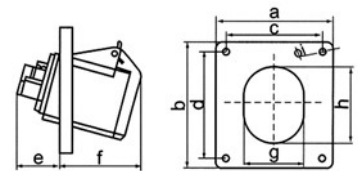
AJ-S313



AJ-S314



AJ-S315



AJ-S323



AJ-S324



AJ-S325

| Earth contact position | | 6h | | | | | |
|------------------------|---|-----|-----|-----|-----|-----|-----|
| Pole | | 3 | | 4 | | 5 | |
| Rated current(A) | | 16 | 32 | 16 | 32 | 16 | 32 |
| Dimension(mm.) | a | 80 | 80 | 80 | 80 | 80 | 88 |
| | b | 98 | 98 | 98 | 98 | 98 | 98 |
| | c | 60 | 60 | 60 | 60 | 60 | 60 |
| | d | 73 | 73 | 73 | 73 | 73 | 73 |
| | e | 37 | 45 | 40 | 45 | 43 | 47 |
| | f | 50 | 57 | 46 | 57 | 45 | 55 |
| | g | 57 | 72 | 63 | 72 | 70 | 78 |
| | h | 62 | 81 | 70 | 81 | 78 | 88 |
| | i | 5.5 | 5.5 | 5.5 | 5.5 | 5.5 | 5.5 |

เต้ารับฝั่งหน้าเฉียง (Sloping Panel Socket)

Conform to IEC60309-2

| Degree of Protection | รุ่น (Model) | Pole | Color code / Earth contact position (6h) | Rated Voltage | Rated Current | Cable size (mm ²) | Packing | | ราคา/ตัว (บาท) |
|----------------------|--------------|--------|--|-------------------------|---------------|-------------------------------|---------|---------|----------------|
| | | | | | | | Pcs/Box | Pcs/Ctn | |
| IP44 ⚠ | AJ-S313 | 2P+E | | 220-240Vac (50/60Hz) | 16A | 1 - 2.5 | 10 | 80 | 165.- |
| | AJ-S323 | | | | 32A | 2.5 - 6 | 10 | 60 | 245.- |
| | AJ-S314 | 3P+E | | 380-415Vac (50/60Hz) | 16A | 1 - 2.5 | 10 | 80 | 175.- |
| | AJ-S324 | | | | 32A | 2.5 - 6 | 10 | 60 | 250.- |
| | AJ-S315 | 3P+N+E | | 220-415Vac (50/60Hz) | 16A | 1 - 2.5 | 10 | 60 | 200.- |
| | AJ-S325 | | | | 32A | 2.5 - 6 | 10 | 60 | 275.- |

* ราคาสินค้าไม่รวมภาษีมูลค่าเพิ่มและราคาอาจเปลี่ยนแปลงได้โดยไม่ต้องแจ้งให้ทราบล่วงหน้า *



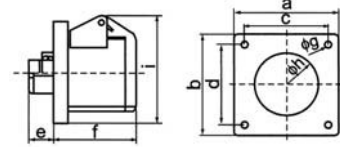
AJ-S413



AJ-S414



AJ-S415



AJ-S423



AJ-S424



AJ-S425

| Earth contact position | | 6h | | | | | |
|------------------------|------|-----|-----|-----|-----|-----|-----|
| Pole | | 3 | | 4 | | 5 | |
| Rated current(A) | | 16 | 32 | 16 | 32 | 16 | 32 |
| Dimension(mm.) | axb | 76 | 76 | 76 | 76 | 76 | 76 |
| | cx d | 61 | 61 | 61 | 61 | 61 | 61 |
| | e | 16 | 20 | 17 | 20 | 18 | 22 |
| | f | 60 | 70 | 60 | 70 | 58 | 71 |
| | g | 5.5 | 5.5 | 5.5 | 5.5 | 5.5 | 5.5 |
| | h | 46 | 61 | 53 | 61 | 60 | 62 |
| | i | 85 | 95 | 88 | 95 | 91 | 98 |

เต้ารับฝั่งหน้าตรง (Straight Panel Socket)

Conform to IEC60309-2

| Degree of Protection | รุ่น (Model) | Pole | Color code / Earth contact position (6h) | Rated Voltage | Rated Current | Cable size (mm ²) | Packing | | ราคา/ตัว (บาท) |
|----------------------|--------------|--------|--|-------------------------|---------------|-------------------------------|---------|---------|----------------|
| | | | | | | | Pcs/Box | Pcs/Ctn | |
| IP44 ⚠ | AJ-S413 | 2P+E | | 220-240Vac (50/60Hz) | 16A | 1 - 2.5 | 10 | 80 | 155.- |
| | 32A | | | | 2.5 - 6 | 10 | 60 | 225.- | |
| | AJ-S414 | 3P+E | | 380-415Vac (50/60Hz) | 16A | 1 - 2.5 | 10 | 80 | 170.- |
| | 32A | | | | 2.5 - 6 | 10 | 60 | 240.- | |
| | AJ-S415 | 3P+N+E | | 220-415Vac (50/60Hz) | 16A | 1 - 2.5 | 10 | 60 | 195.- |
| | AJ-S425 | | | | 32A | 2.5 - 6 | 10 | 60 | 265.- |



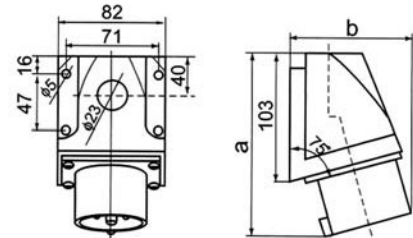
AJ-P513



AJ-P514



AJ-P515



AJ-P523



AJ-P524



AJ-P525

| Earth contact position | | 6h | | | | | |
|------------------------|---|-----|-----|-----|-----|-----|-----|
| Pole | | 3 | | 4 | | 5 | |
| Rated current(A) | | 16 | 32 | 16 | 32 | 16 | 32 |
| Dimension(mm.) | a | 130 | 144 | 135 | 144 | 135 | 148 |
| | b | 74 | 84 | 75 | 84 | 80 | 86 |

ปลั๊กตัวผู้ลอย (Wall Mounted Plug)

Conform to IEC60309-2

| Degree of Protection | รุ่น (Model) | Pole | Color code / Earth contact position (6h) | Rated Voltage | Rated Current | Cable size (mm ²) | Packing | | ราคา/ตัว (บาท) |
|----------------------|--------------|--------|--|-------------------------|---------------|-------------------------------|---------|---------|----------------|
| | | | | | | | Pcs/Box | Pcs/Ctn | |
| IP44 ⚠ | AJ-P513 | 2P+E | | 220-240Vac (50/60Hz) | 16A | 1 - 2.5 | 10 | 40 | 175.- |
| | AJ-P523 | | | | 32A | 2.5 - 6 | 10 | 40 | 250.- |
| | AJ-P514 | 3P+E | | 380-415Vac (50/60Hz) | 16A | 1 - 2.5 | 10 | 40 | 190.- |
| | AJ-P524 | | | | 32A | 2.5 - 6 | 10 | 40 | 260.- |
| | AJ-P515 | 3P+N+E | | 220-415Vac (50/60Hz) | 16A | 1 - 2.5 | 10 | 40 | 220.- |
| | AJ-P525 | | | | 32A | 2.5 - 6 | 10 | 40 | 270.- |

* ราคาสินค้าไม่รวมภาษีมูลค่าเพิ่มและราคาอาจเปลี่ยนแปลงได้โดยไม่ต้องแจ้งให้ทราบล่วงหน้า *



AJ-0132



AJ-0232



AJ-0332



AJ-0432



AJ-0142



AJ-0242



AJ-0342



AJ-0442



AJ-0152



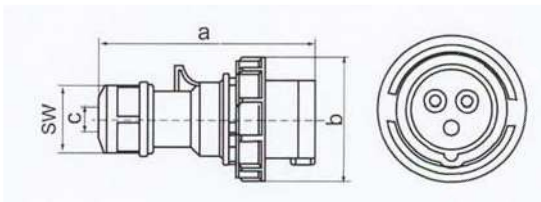
AJ-0252



AJ-0352



AJ-0452



| Earth contact position | | 6h | | | | | | | | | | | |
|------------------------|----|------|-------|-------|---------|------|-------|-------|---------|------|-------|-------|---------|
| Pole | | 3 | | | | 4 | | | | 5 | | | |
| Rated current (A) | | 16 | 32 | 63 | 125 | 16 | 32 | 63 | 125 | 16 | 32 | 63 | 125 |
| Dimension (mm.) | a | 118 | 146 | 250 | 280 | 124 | 146 | 250 | 280 | 133 | 155 | 250 | 280 |
| | b | 43.5 | 57 | 69.5 | 81.5 | 49.5 | 57 | 69.5 | 81.5 | 56 | 63 | 69.5 | 81.5 |
| | c | 6-15 | 10-20 | 16-30 | 20-44.5 | 6-15 | 10-20 | 16-30 | 20-44.5 | 8-16 | 10-20 | 16-30 | 20-44.5 |
| | sw | 38 | 50 | 63 | 70 | 38 | 50 | 60 | 70 | 42 | 50 | 60 | 70 |

ปลั๊ก รุ่นกันน้ำ (Waterproof Plugs)

Conform to IEC60309-2

| Degree of Protection | รุ่น (Model) | Pole | Color code / Earth contact position (6h) | Rated Voltage | Rated Current | Cable size (mm ²) | Packing | | ราคา/ตัว (บาท) |
|----------------------|--------------|--------|--|----------------------|---------------|-------------------------------|---------|---------|----------------|
| | | | | | | | Pcs/Box | Pcs/Ctn | |
| IP67 | AJ-0132 | 2P+E | | 220-240Vac (50/60Hz) | 16A | 1 - 2.5 | 10 | 60 | 160.- |
| | 32A | | | | 2.5 - 6 | 10 | 60 | 250.- | |
| | 63A | | | | 6 - 16 | 2 | 10 | 750.- | |
| | 125A | | | | 16 - 50 | 1 | 10 | 3,000.- | |
| | AJ-0142 | 3P+E | | 380-415Vac (50/60Hz) | 16A | 1 - 2.5 | 10 | 60 | 185.- |
| | 32A | | | | 2.5 - 6 | 10 | 60 | 280.- | |
| | 63A | | | | 6 - 16 | 2 | 10 | 850.- | |
| | 125A | | | | 16 - 50 | 1 | 10 | 3,100.- | |
| | AJ-0152 | 3P+N+E | | 220-415Vac (50/60Hz) | 16A | 1 - 2.5 | 10 | 60 | 240.- |
| | 32A | | | | 2.5 - 6 | 10 | 60 | 330.- | |
| | 63A | | | | 6 - 16 | 2 | 10 | 900.- | |
| | 125A | | | | 16 - 50 | 1 | 10 | 3,300.- | |

* ราคาสินค้าไม่รวมภาษีมูลค่าเพิ่มและราคาอาจเปลี่ยนแปลงได้โดยไม่ต้องแจ้งให้ทราบล่วงหน้า *



AJ-1132



AJ-1232



AJ-1332



AJ-1432



AJ-1142



AJ-1242



AJ-1342



AJ-1442



AJ-1152



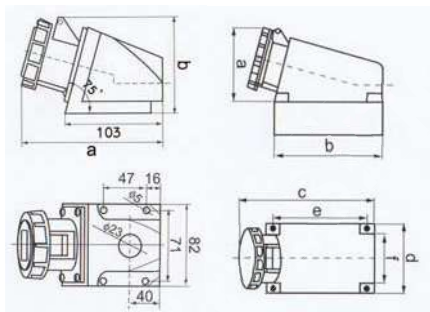
AJ-1252



AJ-1352



AJ-1452



| Earth contact position | 6h | | | | | | | | | | | | |
|------------------------|----|-----|-----|-----|-----|-----|-----|-----|-----|-----|-----|-----|-----|
| | 3 | | | | 4 | | | | 5 | | | | |
| Pole | 3 | | | 4 | | | 5 | | | 5 | | | |
| Rated current(A) | 16 | 32 | 63 | 125 | 16 | 32 | 63 | 125 | 16 | 32 | 63 | 125 | |
| Dimension(mm.) | a | 155 | 170 | 171 | 220 | 155 | 155 | 171 | 220 | 155 | 172 | 171 | 220 |
| | b | 99 | 108 | 170 | 220 | 101 | 106 | 170 | 220 | 106 | 111 | 170 | 220 |
| | c | - | - | 250 | 285 | - | - | 250 | 285 | - | - | 250 | 285 |
| | d | - | - | 118 | 140 | - | - | 118 | 140 | - | - | 118 | 140 |
| | e | - | - | 137 | 185 | - | - | 137 | 185 | - | - | 137 | 185 |
| | f | - | - | 104 | 130 | - | - | 104 | 130 | - | - | 104 | 130 |

เต้ารับลอย รุ่นกันน้ำ (Waterproof Wall Socket)

Conform to IEC60309-2

| Degree of Protection | รุ่น (Model) | Pole | Color code / Earth contact position (6h) | Rated Voltage | Rated Current | Cable size (mm ²) | Packing | | ราคา/ตัว (บาท) |
|----------------------|--------------|--------|--|----------------------|---------------|-------------------------------|---------|---------|----------------|
| | | | | | | | Pcs/Box | Pcs/Ctn | |
| IP67 ☔ | AJ-1132 | 2P+E | | 220-240Vac (50/60Hz) | 16A | 1 - 2.5 | 10 | 40 | 290.- |
| | AJ-1232 | | | | 32A | 2.5 - 6 | 10 | 40 | 380.- |
| | AJ-1332 | | | | 63A | 6 - 16 | 2 | 10 | 1,100.- |
| | AJ-1432 | | | | 125A | 16 - 50 | 1 | 10 | 4,100.- |
| | AJ-1142 | 3P+E | | 380-415Vac (50/60Hz) | 16A | 1 - 2.5 | 10 | 40 | 320.- |
| | AJ-1242 | | | | 32A | 2.5 - 6 | 10 | 40 | 420.- |
| | AJ-1342 | | | | 63A | 6 - 16 | 2 | 10 | 1,200.- |
| | AJ-1442 | | | | 125A | 16 - 50 | 1 | 10 | 4,200.- |
| | AJ-1152 | 3P+N+E | | 220-415Vac (50/60Hz) | 16A | 1 - 2.5 | 10 | 40 | 380.- |
| | AJ-1252 | | | | 32A | 2.5 - 6 | 10 | 40 | 480.- |
| | AJ-1352 | | | | 63A | 6 - 16 | 2 | 10 | 1,300.- |
| | AJ-1452 | | | | 125A | 16 - 50 | 1 | 10 | 4,500.- |

* ราคาสินค้าไม่รวมภาษีมูลค่าเพิ่มและราคาอาจเปลี่ยนแปลงได้โดยไม่ต้องแจ้งให้ทราบล่วงหน้า *



AJ-2132



AJ-2232



AJ-2332



AJ-2432



AJ-2142



AJ-2242



AJ-2342



AJ-2442



AJ-2152



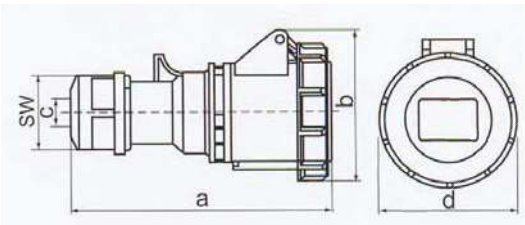
AJ-2252



AJ-2352



AJ-2452



| Earth contact position | 6h | | | | | | | | | | | | |
|------------------------|-----|------|-------|-------|---------|------|-------|-------|---------|------|-------|-------|---------|
| | 3 | | | | 4 | | | | 5 | | | | |
| Pole | 16 | 32 | 63 | 125 | 16 | 32 | 63 | 125 | 16 | 32 | 63 | 125 | |
| Rated current(A) | 130 | 163 | 270 | 300 | 138 | 163 | 270 | 300 | 145 | 168 | 270 | 300 | |
| Dimension(mm.) | a | 71 | 97 | 120 | 135 | 87 | 97 | 120 | 135 | 93 | 104 | 120 | 135 |
| | b | 6-15 | 10-20 | 16-30 | 20-44.5 | 6-15 | 10-20 | 16-30 | 20-44.5 | 8-16 | 12-22 | 16-30 | 20-44.5 |
| | c | 71 | 93 | 112 | 130 | 80 | 93 | 112 | 130 | 87 | 100 | 112 | 130 |
| | d | 38 | 50 | 63 | 70 | 38 | 50 | 60 | 70 | 42 | 50 | 60 | 70 |
| | sw | | | | | | | | | | | | |

เต้ารับกลางทาง รุ่นกันน้ำ (Waterproof Coupler Socket)

Conform to IEC60309-2

| Degree of Protection | รุ่น (Model) | Pole | Color code / Earth contact position (6h) | Rated Voltage | Rated Current | Cable size (mm ²) | Packing | | ราคา/ตัว (บาท) |
|----------------------|--------------|--------|--|----------------------|---------------|-------------------------------|---------|---------|----------------|
| | | | | | | | Pcs/Box | Pcs/Ctn | |
| IP67 ☔ | AJ-2132 | 2P+E | | 220-240Vac (50/60Hz) | 16A | 1 - 2.5 | 10 | 60 | 250.- |
| | 32A | | | | 2.5 - 6 | 10 | 40 | 340.- | |
| | 63A | | | | 6 - 16 | 2 | 10 | 1,050.- | |
| | 125A | | | | 16 - 50 | 1 | 10 | 3,600.- | |
| | AJ-2142 | 3P+E | | 380-415Vac (50/60Hz) | 16A | 1 - 2.5 | 10 | 60 | 270.- |
| | 32A | | | | 2.5 - 6 | 10 | 40 | 370.- | |
| | 63A | | | | 6 - 16 | 2 | 10 | 1,150.- | |
| | 125A | | | | 16 - 50 | 1 | 10 | 3,800.- | |
| | AJ-2152 | 3P+N+E | | 220-415Vac (50/60Hz) | 16A | 1 - 2.5 | 10 | 60 | 300.- |
| | 32A | | | | 2.5 - 6 | 10 | 40 | 420.- | |
| | 63A | | | | 6 - 16 | 2 | 10 | 1,250.- | |
| | 125A | | | | 16 - 50 | 1 | 10 | 4,100.- | |

* ราคาสินค้าไม่รวมภาษีมูลค่าเพิ่มและราคาอาจเปลี่ยนแปลงได้โดยไม่ต้องแจ้งให้ทราบล่วงหน้า *

IP67
ระดับการป้องกัน



AJ-3132



AJ-3232



AJ-3333



AJ-3433



AJ-3142



AJ-3242



AJ-3343



AJ-3443



AJ-3152



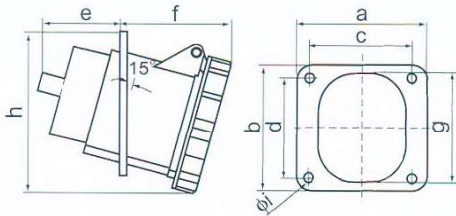
AJ-3252



AJ-3353



AJ-3453



| Earth contact position | 6h | | | | | | | | | | | | |
|------------------------|----|-----|-----|-----|-----|-----|-----|-----|-----|-----|-----|-----|-----|
| | 3 | | | | 4 | | | | 5 | | | | |
| Pole | 3 | | | 4 | | | 5 | | | 5 | | | |
| Rated current (A) | 16 | 32 | 63 | 125 | 16 | 32 | 63 | 125 | 16 | 32 | 63 | 125 | |
| Dimension (mm.) | a | 80 | 80 | 102 | 122 | 80 | 80 | 102 | 122 | 80 | 88 | 102 | 122 |
| | b | 98 | 98 | 114 | 132 | 98 | 98 | 114 | 132 | 98 | 98 | 114 | 132 |
| | c | 60 | 60 | 80 | 101 | 60 | 60 | 80 | 101 | 60 | 60 | 80 | 101 |
| | d | 73 | 73 | 92 | 110 | 73 | 73 | 92 | 110 | 73 | 73 | 92 | 110 |
| | e | 37 | 45 | 73 | 92 | 40 | 45 | 73 | 92 | 43 | 47 | 73 | 92 |
| | f | 52 | 60 | 83 | 96 | 50 | 60 | 83 | 96 | 47 | 60 | 83 | 96 |
| | g | 57 | 72 | 82 | 94 | 63 | 72 | 82 | 94 | 70 | 78 | 82 | 94 |
| | h | 62 | 81 | 90 | 107 | 70 | 81 | 90 | 107 | 78 | 88 | 90 | 107 |
| | i | 5.5 | 5.5 | 6 | 6 | 5.5 | 5.5 | 6 | 6 | 5.5 | 5.5 | 6 | 6 |

เต้ารับผนังน้ำฝน รุ่นกันน้ำ (Waterproof Sloping Panel Socket)

Conform to IEC60309-2

| Degree of Protection | รุ่น (Model) | Pole | Color code / Earth contact position (6h) | Rated Voltage | Rated Current | Cable size (mm ²) | Packing | | ราคา/ตัว (บาท) |
|----------------------|--------------|--------|--|-------------------------|---------------|-------------------------------|---------|---------|----------------|
| | | | | | | | Pcs/Box | Pcs/Ctn | |
| IP67 ☔ | AJ-3132 | 2P+E | | 220-240Vac (50/60Hz) | 16A | 1 - 2.5 | 10 | 80 | 210.- |
| | 32A | | | | 2.5 - 6 | 10 | 60 | 290.- | |
| | 63A | | | | 6 - 16 | 2 | 20 | 820.- | |
| | 125A | | | | 16 - 50 | 2 | 20 | 2,500.- | |
| | AJ-3142 | 3P+E | | 380-415Vac (50/60Hz) | 16A | 1 - 2.5 | 10 | 60 | 250.- |
| | 32A | | | | 2.5 - 6 | 10 | 60 | 330.- | |
| | 63A | | | | 6 - 16 | 2 | 20 | 920.- | |
| | 125A | | | | 16 - 50 | 2 | 20 | 2,950.- | |
| | AJ-3152 | 3P+N+E | | 220-415Vac (50/60Hz) | 16A | 1 - 2.5 | 10 | 60 | 270.- |
| | 32A | | | | 2.5 - 6 | 10 | 60 | 360.- | |
| | 63A | | | | 6 - 16 | 2 | 20 | 1,000.- | |
| | 125A | | | | 16 - 50 | 2 | 20 | 3,100.- | |

* ราคาสินค้าไม่รวมภาษีมูลค่าเพิ่มและราคาอาจเปลี่ยนแปลงได้โดยไม่ต้องแจ้งให้ทราบล่วงหน้า *



AJ-4132



AJ-4232



AJ-4332



AJ-4432



AJ-4142



AJ-4242



AJ-4342



AJ-4442



AJ-4152



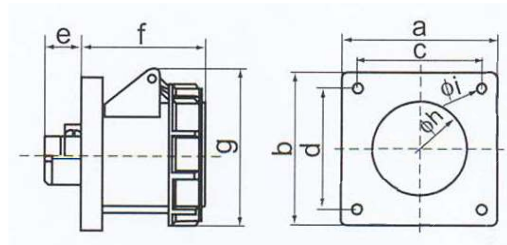
AJ-4252



AJ-4352



AJ-4452



| Earth contact position | 6h | | | | | | | | | | | | |
|------------------------|------|----|----|-----|-----|-----|-----|-----|-----|-----|-----|-----|-----|
| | 3 | | | | 4 | | | | 5 | | | | |
| Pole | | | | | | | | | | | | | |
| Rated current(A) | 16 | 32 | 63 | 125 | 16 | 32 | 63 | 125 | 16 | 32 | 63 | 125 | |
| Dimension(mm.) | axb | 76 | 76 | 105 | 120 | 76 | 76 | 105 | 120 | 76 | 76 | 105 | 120 |
| | cx d | 61 | 61 | 85 | 100 | 61 | 61 | 85 | 100 | 61 | 61 | 85 | 100 |
| | e | 18 | 20 | 30 | 45 | 17 | 20 | 30 | 45 | 17 | 22 | 30 | 45 |
| | f | 63 | 74 | 105 | 104 | 61 | 74 | 105 | 104 | 62 | 73 | 105 | 104 |
| | g | 78 | 96 | 116 | 127 | 84 | 98 | 116 | 127 | 91 | 102 | 116 | 127 |
| | h | 46 | 60 | 75 | 90 | 53 | 60 | 75 | 90 | 60 | 60 | 75 | 90 |
| | i | 5 | 5 | 5.5 | 5.5 | 5.5 | 5.5 | 5.5 | 5.5 | 5.5 | 5.5 | 5.5 | 5.5 |

เต้ารับฝังหน้าตรง รุ่นกันน้ำ (Waterproof Straight Panel Socket) Conform to IEC60309-2

| Degree of Protection | รุ่น (Model) | Pole | Color code / Earth contact position (6h) | Rated Voltage | Rated Current | Cable size (mm ²) | Packing | | ราคา/ตัว (บาท) |
|----------------------|--------------|--------|--|----------------------|---------------|-------------------------------|---------|---------|----------------|
| | | | | | | | Pcs/Box | Pcs/Ctn | |
| IP67 | AJ-4132 | 2P+E | | 220-240Vac (50/60Hz) | 16A | 1 - 2.5 | 10 | 60 | 210.- |
| | 32A | | | | 2.5 - 6 | 10 | 60 | 290.- | |
| | 63A | | | | 6 - 16 | 2 | 20 | 820.- | |
| | 125A | | | | 16 - 50 | 2 | 20 | 2,500.- | |
| | AJ-4142 | 3P+E | | 380-415Vac (50/60Hz) | 16A | 1 - 2.5 | 10 | 80 | 250.- |
| | 32A | | | | 2.5 - 6 | 10 | 60 | 330.- | |
| | 63A | | | | 6 - 16 | 2 | 20 | 900.- | |
| | 125A | | | | 16 - 50 | 2 | 20 | 2,950.- | |
| | AJ-4152 | 3P+N+E | | 220-415Vac (50/60Hz) | 16A | 1 - 2.5 | 10 | 80 | 270.- |
| | 32A | | | | 2.5 - 6 | 10 | 60 | 360.- | |
| | 63A | | | | 6 - 16 | 2 | 20 | 1,000.- | |
| | 125A | | | | 16 - 50 | 2 | 20 | 3,100.- | |

* ราคาสินค้าไม่รวมภาษีมูลค่าเพิ่มและราคาอาจเปลี่ยนแปลงได้โดยไม่ต้องแจ้งให้ทราบล่วงหน้า *

IP67
ระดับการป้องกัน



AJ-6132



AJ-6232



AJ-6332



AJ-6432



AJ-6142



AJ-6242



AJ-6342



AJ-6442



AJ-6152



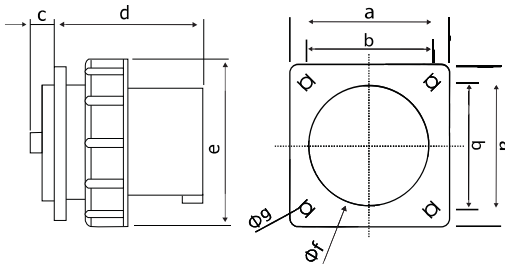
AJ-6252



AJ-6352



AJ-6452



| Earth contact position | 6h | | | | | | | | | | | | |
|------------------------|----|-----|-----|-----|-----|-----|-----|-----|-----|-----|-----|-----|-----|
| | 3 | | | | 4 | | | | 5 | | | | |
| Pole | 16 | | | 32 | | | 63 | | | 125 | | | |
| Rated current (A) | 16 | 32 | 63 | 125 | 16 | 32 | 63 | 125 | 16 | 32 | 63 | 125 | |
| Dimension (mm.) | a | 76 | 76 | 105 | 120 | 76 | 76 | 105 | 120 | 76 | 76 | 105 | 120 |
| | b | 61 | 61 | 85 | 100 | 61 | 61 | 85 | 100 | 61 | 61 | 85 | 100 |
| | c | 10 | 10 | 25 | 25 | 10 | 10 | 25 | 25 | 10 | 10 | 25 | 25 |
| | d | 63 | 74 | 91 | 102 | 61 | 74 | 91 | 102 | 74 | 74 | 91 | 102 |
| | e | 71 | 93 | 116 | 124 | 71 | 93 | 116 | 124 | 87 | 100 | 116 | 124 |
| | f | 46 | 55 | 75 | 100 | 46 | 55 | 75 | 100 | 55 | 55 | 75 | 100 |
| | g | 5.5 | 5.5 | 6.5 | 6.5 | 5.5 | 5.5 | 6.5 | 6.5 | 5.5 | 5.5 | 6.5 | 6.5 |

ปลั๊กตัวผู้ฝั่ง รูนกันน้ำ (Waterproof Straight Panel Plugs)

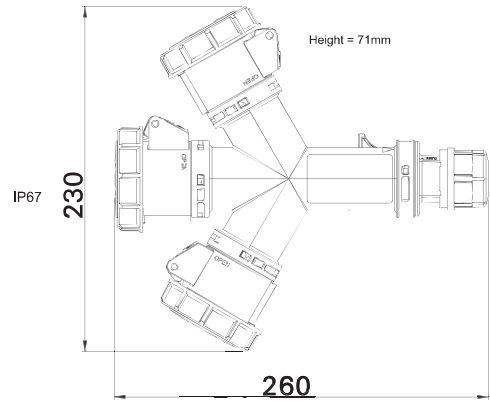
Conform to IEC60309-2

| Degree of Protection | รุ่น (Model) | Pole | Color code / Earth contact position (6h) | Rated Voltage | Rated Current | Cable size (mm ²) | Packing | | ราคา/ตัว (บาท) |
|----------------------|--------------|--------|--|----------------------|---------------|-------------------------------|---------|---------|----------------|
| | | | | | | | Pcs/Box | Pcs/Ctn | |
| IP67 | AJ-6132 | 2P+E | | 220-240Vac (50/60Hz) | 16A | 1 - 2.5 | 10 | 60 | 300.- |
| | AJ-6232 | | | | 32A | 2.5 - 6 | 10 | 60 | 400.- |
| | AJ-6332 | | | | 63A | 6 - 16 | 2 | 20 | 1,050.- |
| | AJ-6432 | | | | 125A | 16 - 50 | 2 | 20 | 2,750.- |
| | AJ-6142 | 3P+E | | 380-415Vac (50/60Hz) | 16A | 1 - 2.5 | 10 | 80 | 400.- |
| | AJ-6242 | | | | 32A | 2.5 - 6 | 10 | 60 | 500.- |
| | AJ-6342 | | | | 63A | 6 - 16 | 2 | 20 | 1,150.- |
| | AJ-6442 | | | | 125A | 16 - 50 | 2 | 20 | 2,900.- |
| | AJ-6152 | 3P+N+E | | 220-415Vac (50/60Hz) | 16A | 1 - 2.5 | 10 | 80 | 450.- |
| | AJ-6252 | | | | 32A | 2.5 - 6 | 10 | 60 | 550.- |
| | AJ-6352 | | | | 63A | 6 - 16 | 2 | 20 | 1,250.- |
| | AJ-6452 | | | | 125A | 16 - 50 | 2 | 20 | 3,100.- |

* ราคาสินค้าไม่รวมภาษีมูลค่าเพิ่มและราคาอาจเปลี่ยนแปลงได้โดยไม่ต้องแจ้งให้ทราบล่วงหน้า *



AJ-10132-C



เต้ารับสามทาง รุ่นกันน้ำ (Waterproof Multiple - socket outlet) Conform to IEC60309-2

| Degree of Protection | รุ่น (Model) | Pole | Color code / Earth contact position (6h) | Rated Voltage | Rated Current | Cable size (mm ²) | Packing | | ราคา/ตัว (บาท) |
|----------------------|--------------------------------|------|--|-------------------------|---------------|-------------------------------|---------|----------|----------------|
| | | | | | | | Pcs/Box | Pcs/Ctns | |
| IP67 | AJ-10132-C (With 2m. cable) | 2P+E | | 220-240Vac (50/60Hz) | 16A | 1.0 - 2.5 | 1 | 10 | 1,550 |



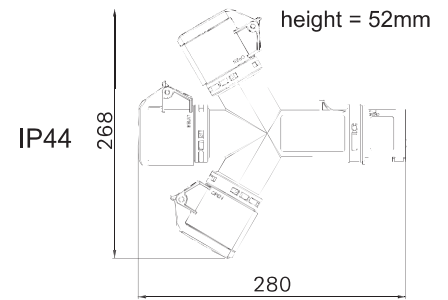
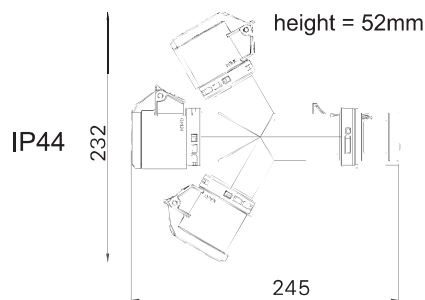
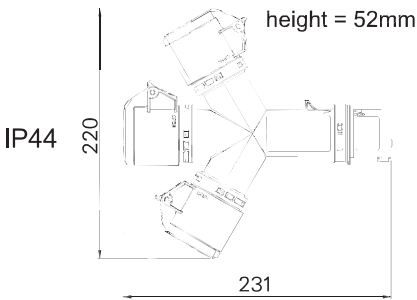
AJ-S1013



AJ-S1014



AJ-S1024



เต้ารับสามทาง (Multiple - socket outlet) Conform to IEC60309-2

| Degree of Protection | รุ่น (Model) | Pole | Color code / Earth contact position (6h) | Rated Voltage | Rated Current | Cable size (mm ²) | Packing | | ราคา/ตัว (บาท) |
|----------------------|--------------|------|--|-------------------------|---------------|-------------------------------|---------|----------|----------------|
| | | | | | | | Pcs/Box | Pcs/Ctns | |
| IP44 | AJ-S1013 | 2P+E | | 220-240Vac (50/60Hz) | 16A | 1.0 - 2.5 | 2 | 20 | 900 |
| | AJ-S1014 | 3P+E | | 380-415Vac (50/60Hz) | 16A | 1.0 - 2.5 | 2 | 20 | 1,100 |
| | AJ-S1024 | 3P+E | | 380-415Vac (50/60Hz) | 32A | 2.5 - 6.0 | 2 | 20 | 1,500 |


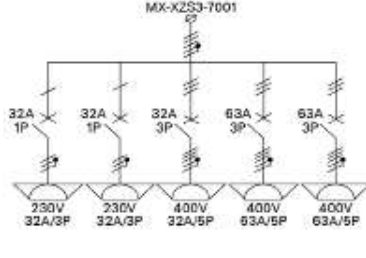

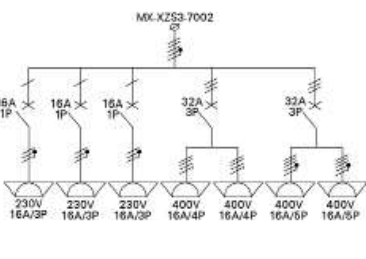

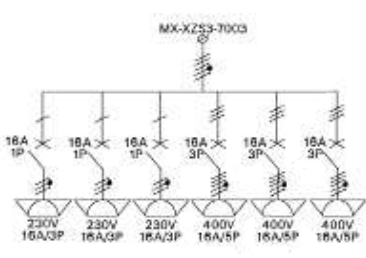
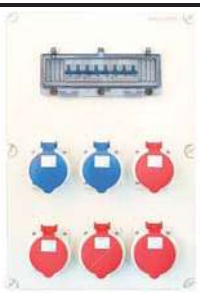
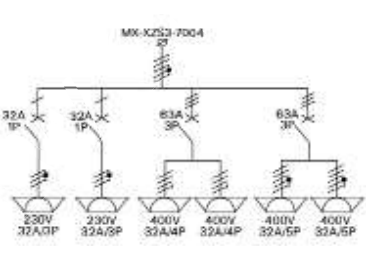
* ราคาสินค้าไม่รวมภาษีมูลค่าเพิ่มและราคาอาจเปลี่ยนแปลงได้โดยไม่ต้องแจ้งให้ทราบล่วงหน้า *

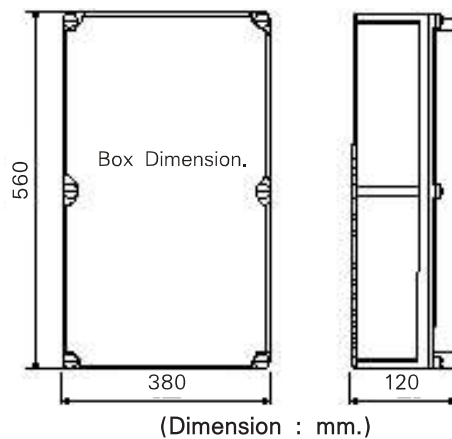
เพิ่มความปลอดภัยในงาน Outdoor

IP44

ตู้ไฟสนามพร้อมปลั๊กเพาเวอร์ (Mobile Power Distribution Box)

Conform to IEC60439-3

| รูป (Model) | Details | Quantity | ราคา (บาท) |
|---|------------------------|----------|------------|
|   | Socket 2P+E 32A,230V | 2PCS | 18,500.- |
| | Socket 3P+N+E 32A,400V | 1PC | |
| | Socket 3P+N+E 63A,400V | 2PCS | |
| | MCB 1P 32A | 2PCS | |
| | MCB 3P 32A | 1PC | |
| | MCB 3P 63A | 2PCS | |
|   | Socket 2P+E 16A,230V | 3PCS | 18,000.- |
| | Socket 3P+E 16A,400V | 2PCS | |
| | Socket 3P+N+E 16A,400V | 2PCS | |
| | MCB 1P 16A | 3PCS | |
| | MCB 3P 32A | 2PCS | |
| | - | - | |
|   | Socket 2P+E 16A,230V | 3PCS | 17,800.- |
| | Socket 3P+N+E 16A,400V | 3PCS | |
| | MCB 1P 16A | 3PCS | |
| | MCB 3P 16A | 3PCS | |
| | - | - | |
| | - | - | |
|   | Socket 2P+E 32A,230V | 2PCS | 18,900.- |
| | Socket 3P+E 32A,400V | 2PCS | |
| | Socket 3P+N+E 32A,400V | 2PCS | |
| | MCB 1P 32A | 2PCS | |
| | MCB 3P 63A | 2PCS | |
| | - | - | |



* ราคาสินค้าไม่รวมภาษีมูลค่าเพิ่มและราคาอาจเปลี่ยนแปลงได้โดยไม่ต้องแจ้งให้ทราบล่วงหน้า *

SECTION : 1